

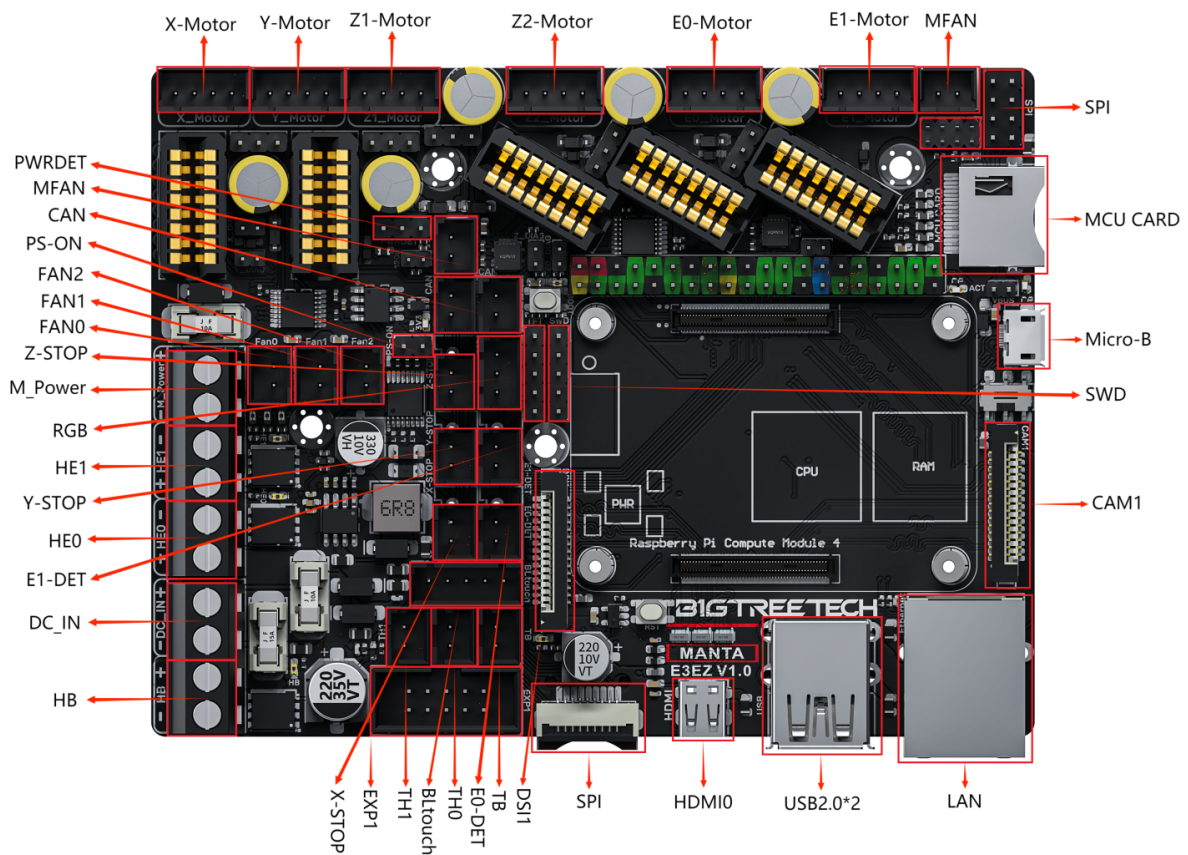
BIGTREE TECH Manta E3EZ

- [BIGTREE TECH Manta E3EZ V1.0 Schematic](#)
- [BLTouch Wiring](#)
- [RGB Wiring](#)

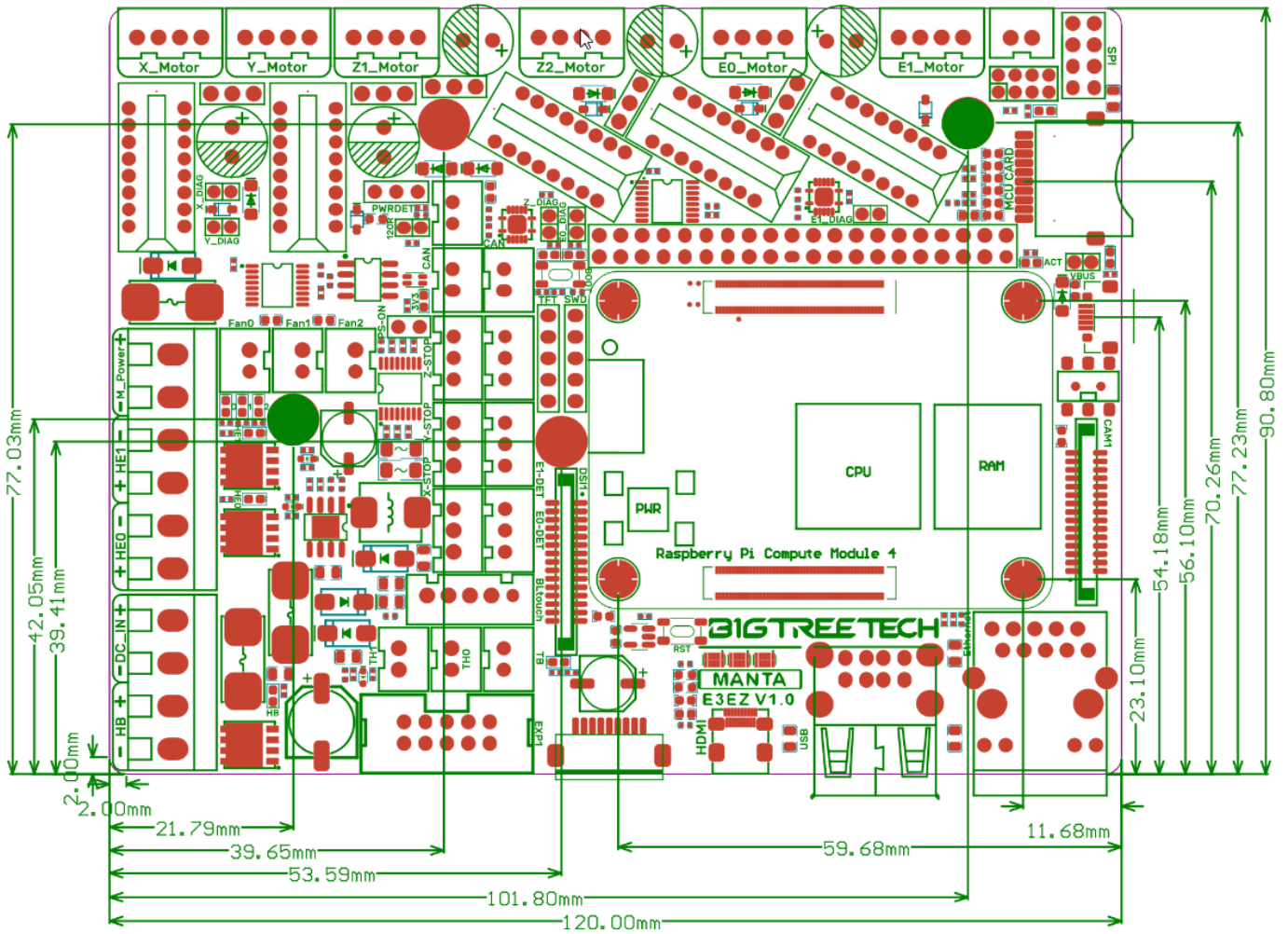
BIGTREE TECH Manta E3EZ V1.0 Schematic

[Manta-E3EZ GitHub](#)

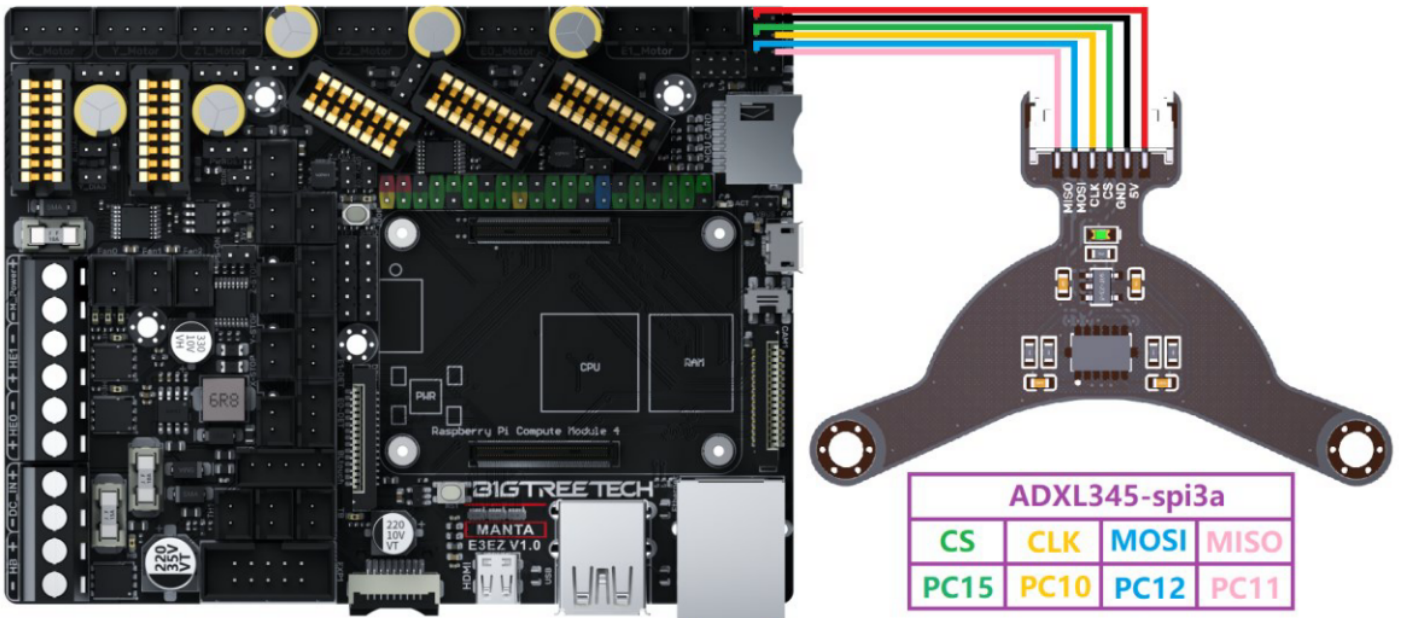
Interface



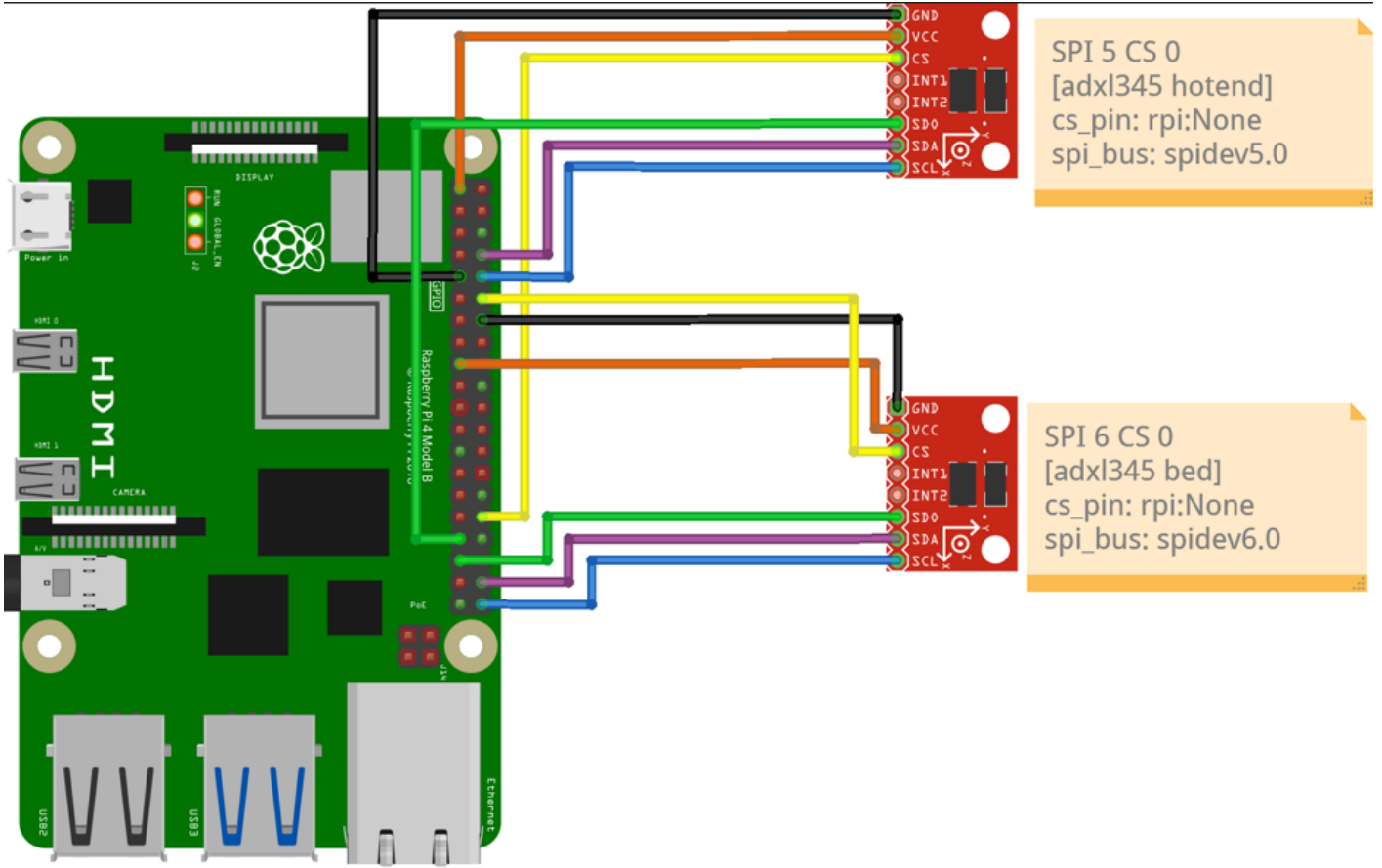
Pinout



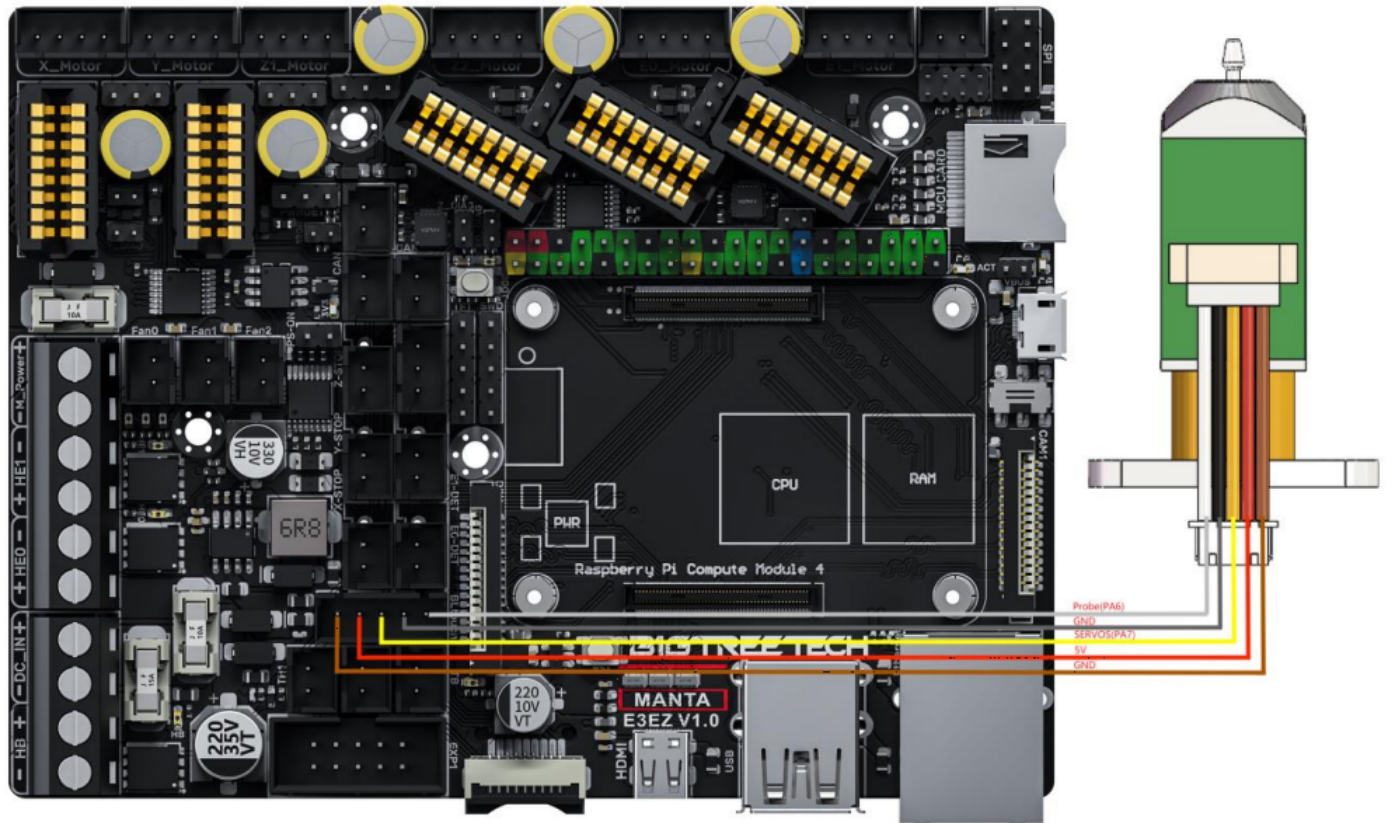
ADXL345 accelerometer



```
[adx1345]
cs_pin: PC15
spi_bus: spi3a
#spi_software_sclk_pin: PC10
#spi_software_mosi_pin: PC12
#spi_software_miso_pin: PC11
```



BLTouch Wiring



RGB Wiring

