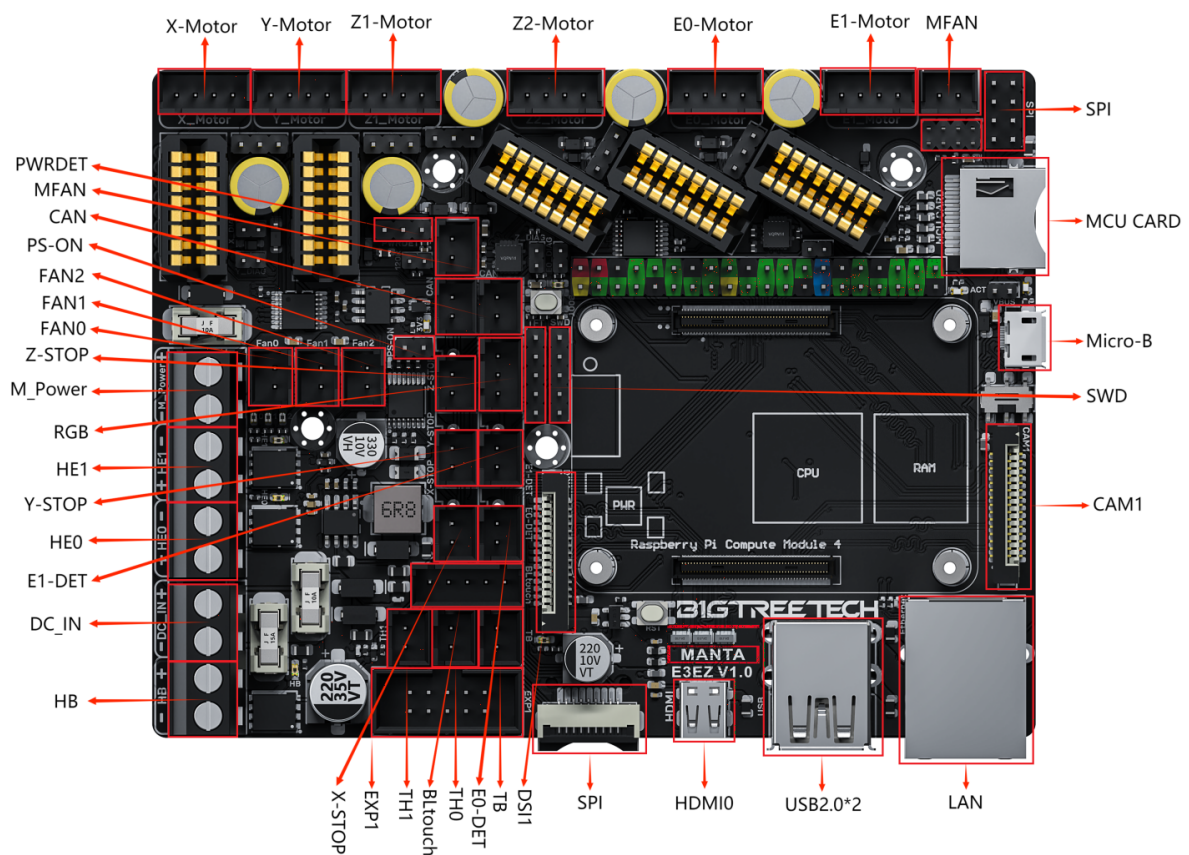


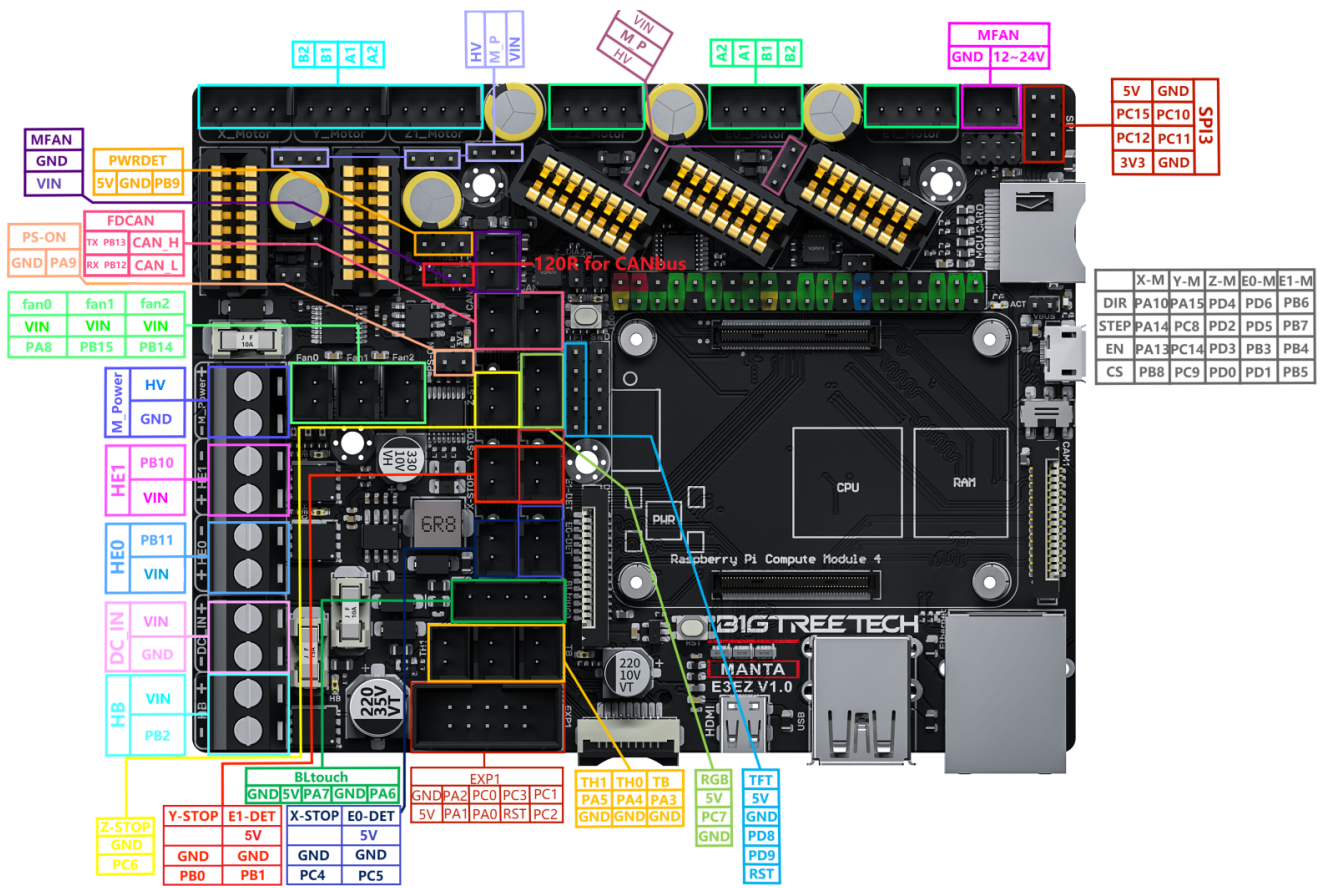
BIGTREE TECH Manta E3EZ V1.0 Schematic

[Manta-E3EZ GitHub](#)

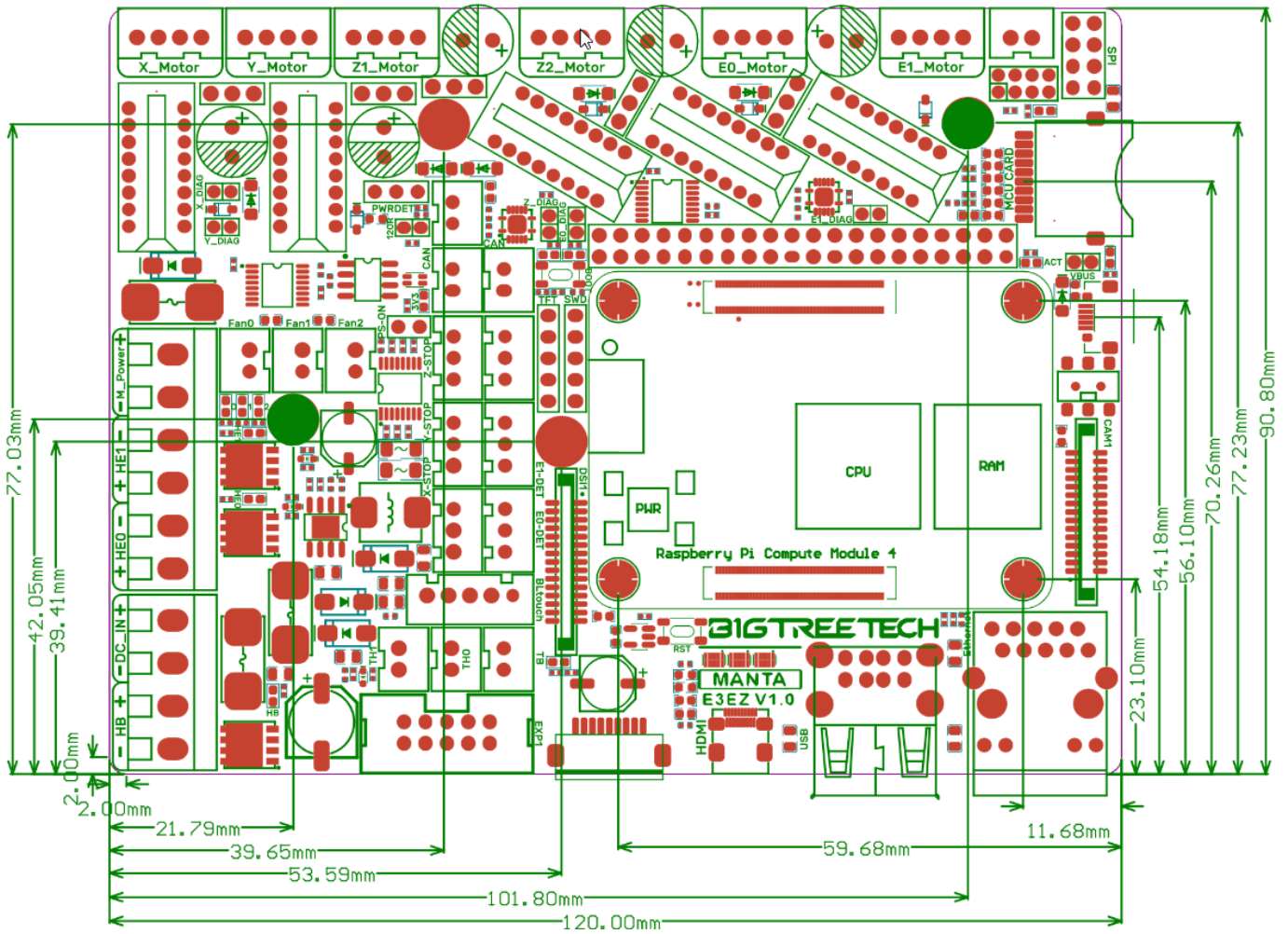
Interface



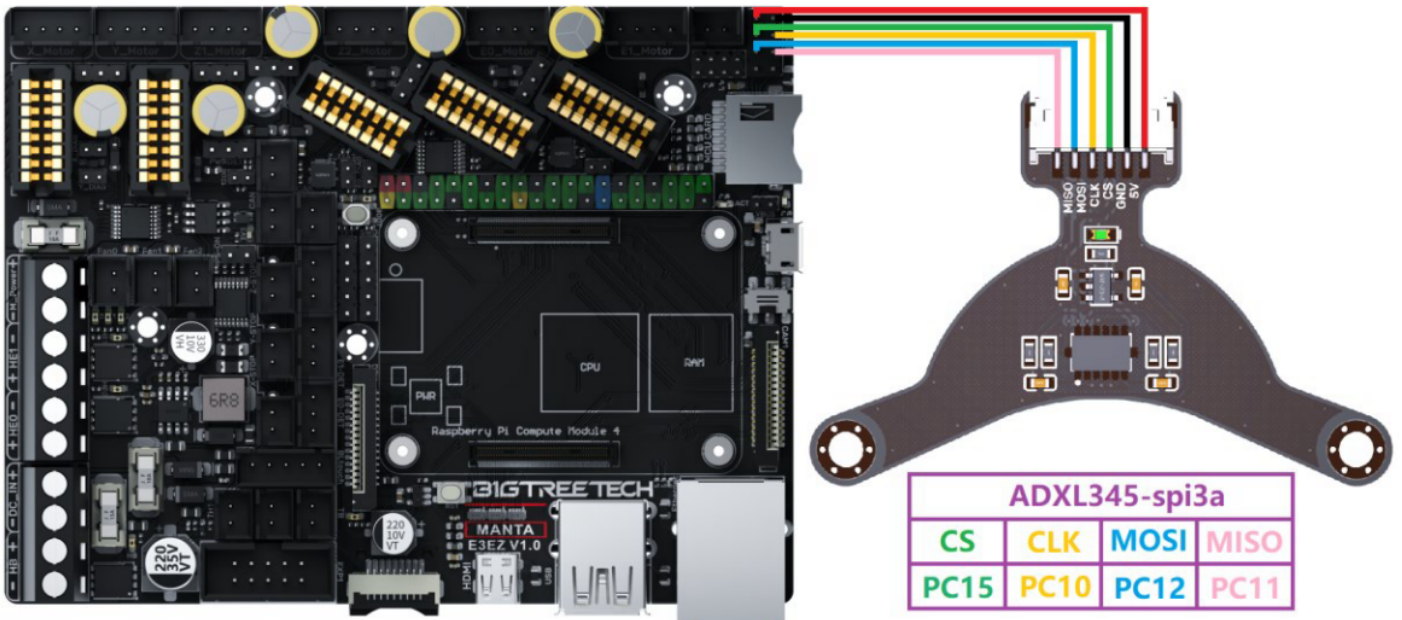
Pinout



Size



ADXL345 accelerometer



[adx1345]

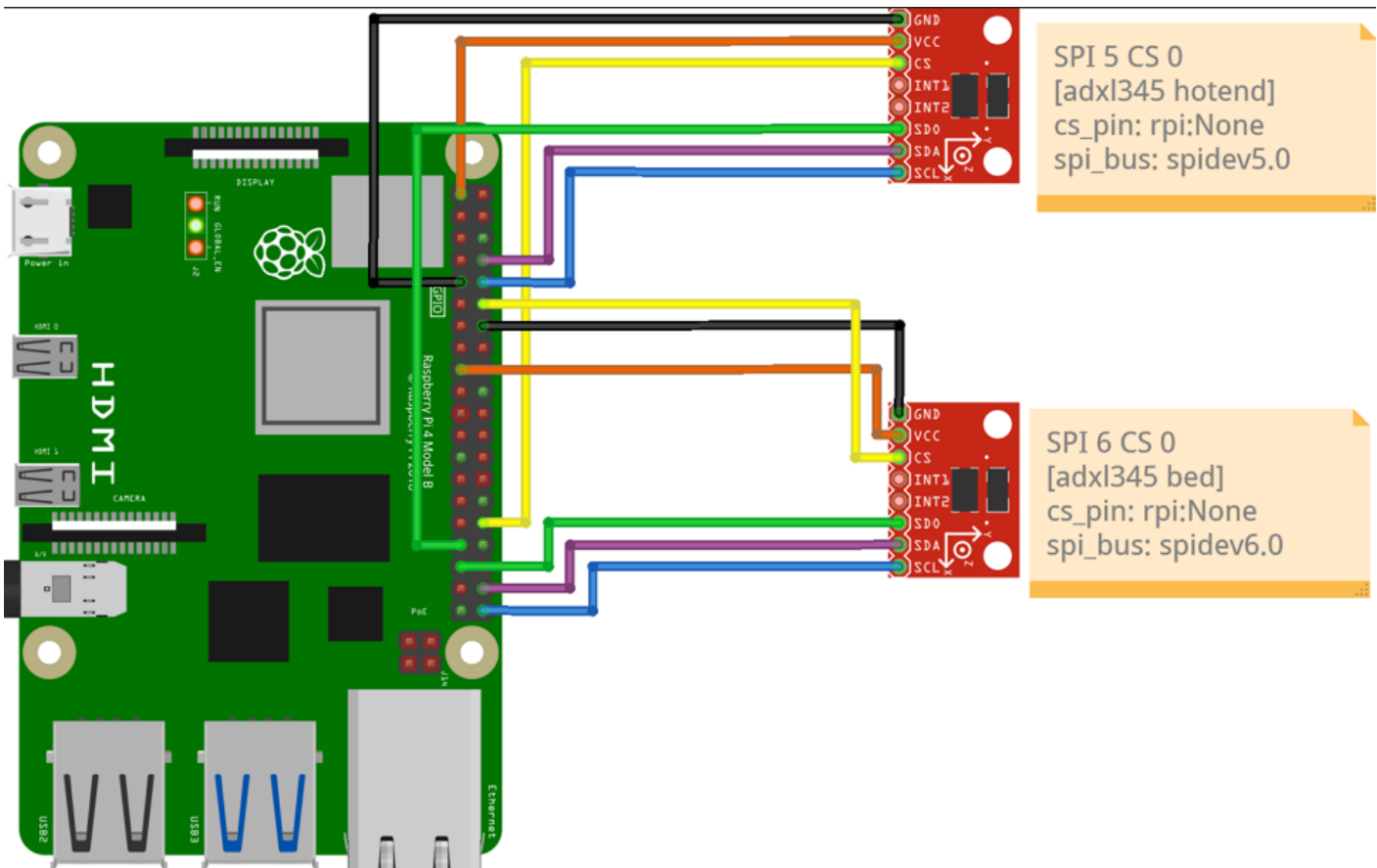
cs_pin: PC15

spi_bus: spi3a

#spi_software_sclk_pin: PC10

#spi_software_mosi_pin: PC12

#spi_software_miso_pin: PC11



Revision #7

Created 2023-06-29 17:17:07 UTC by sylvio

Updated 2023-08-11 17:57:45 UTC by sylvio