

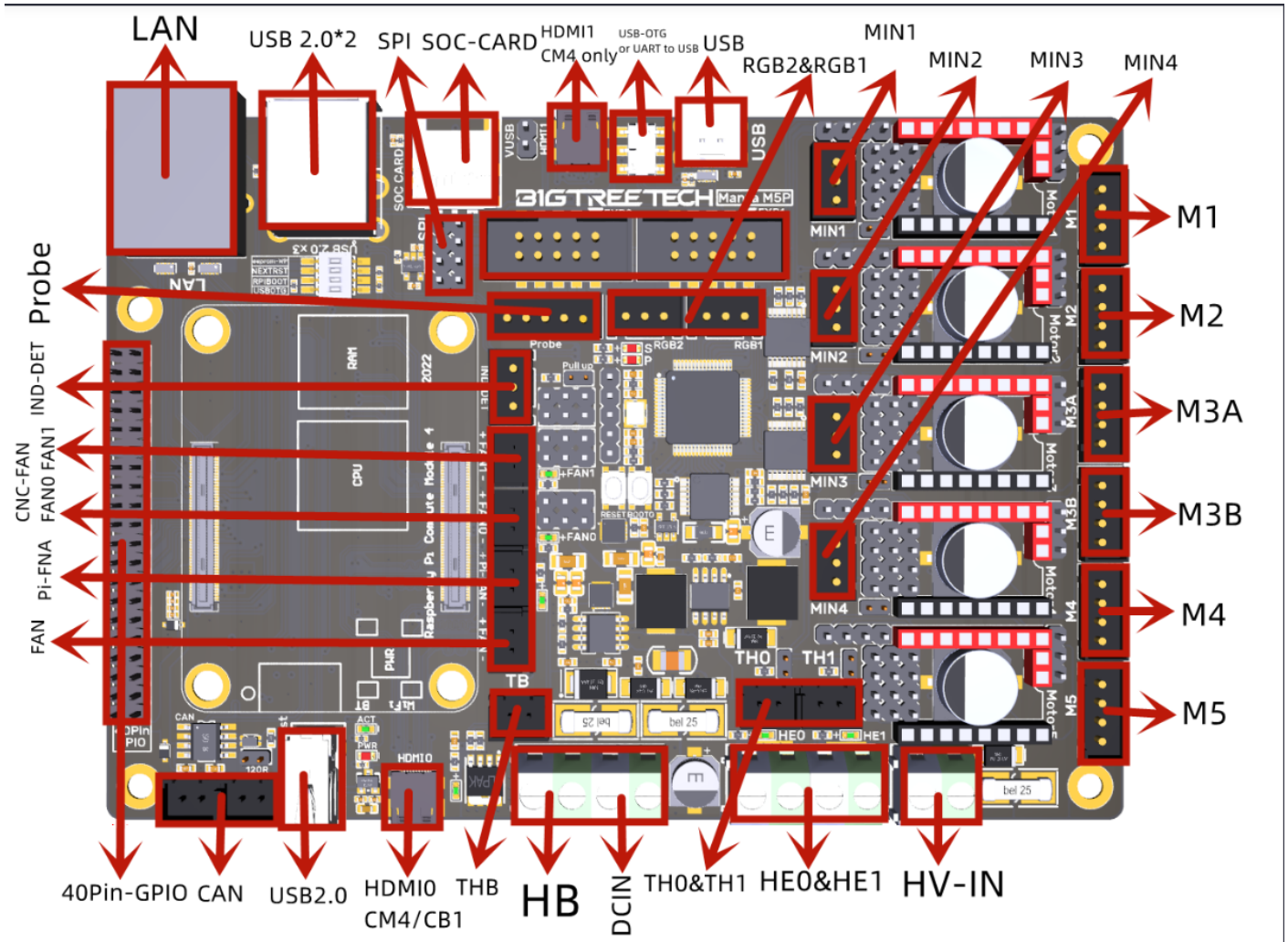
Manta M5P Board details

- [connections](#)

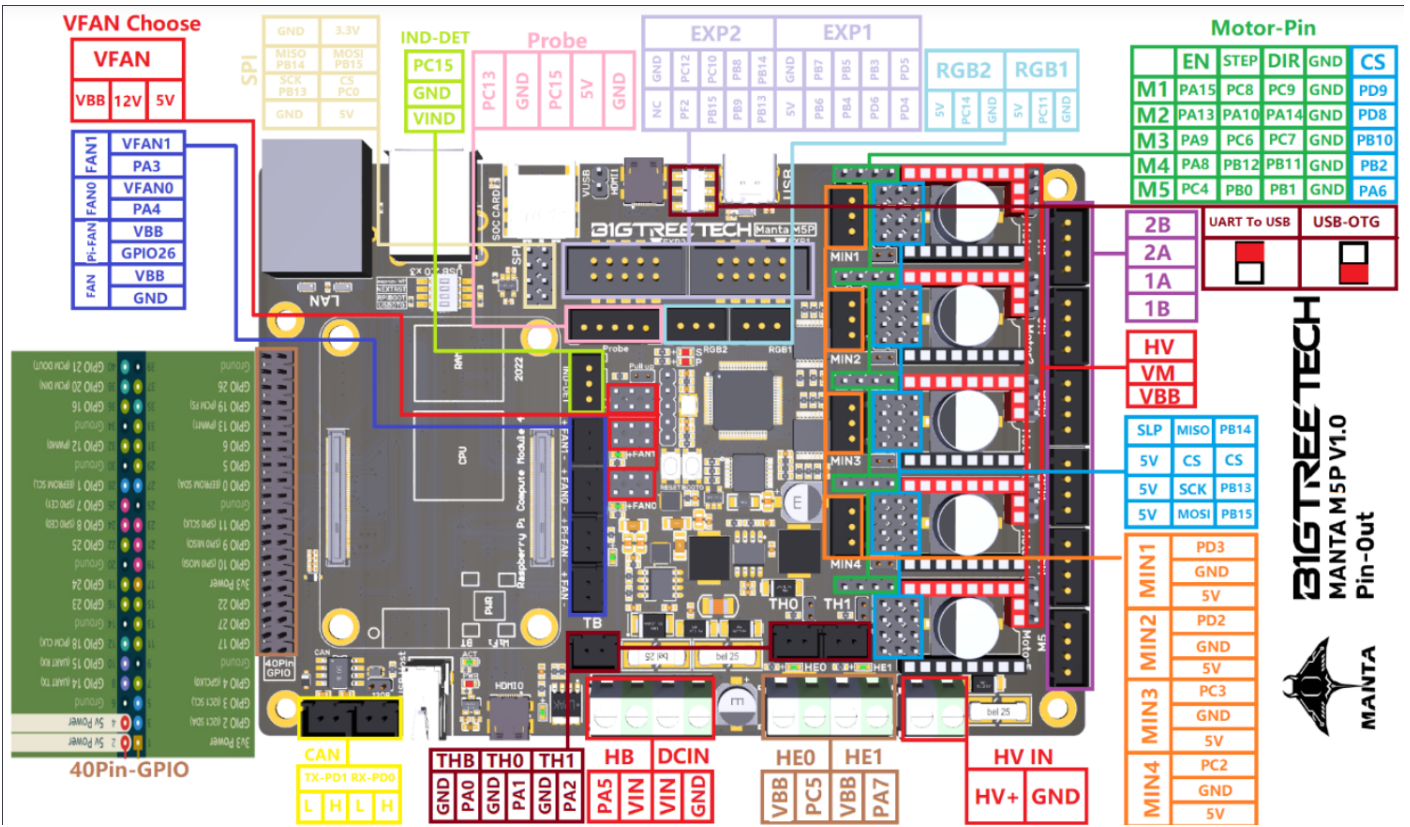
connections

[Webside by Bigtreetech](http://www.bigtreetech.com)

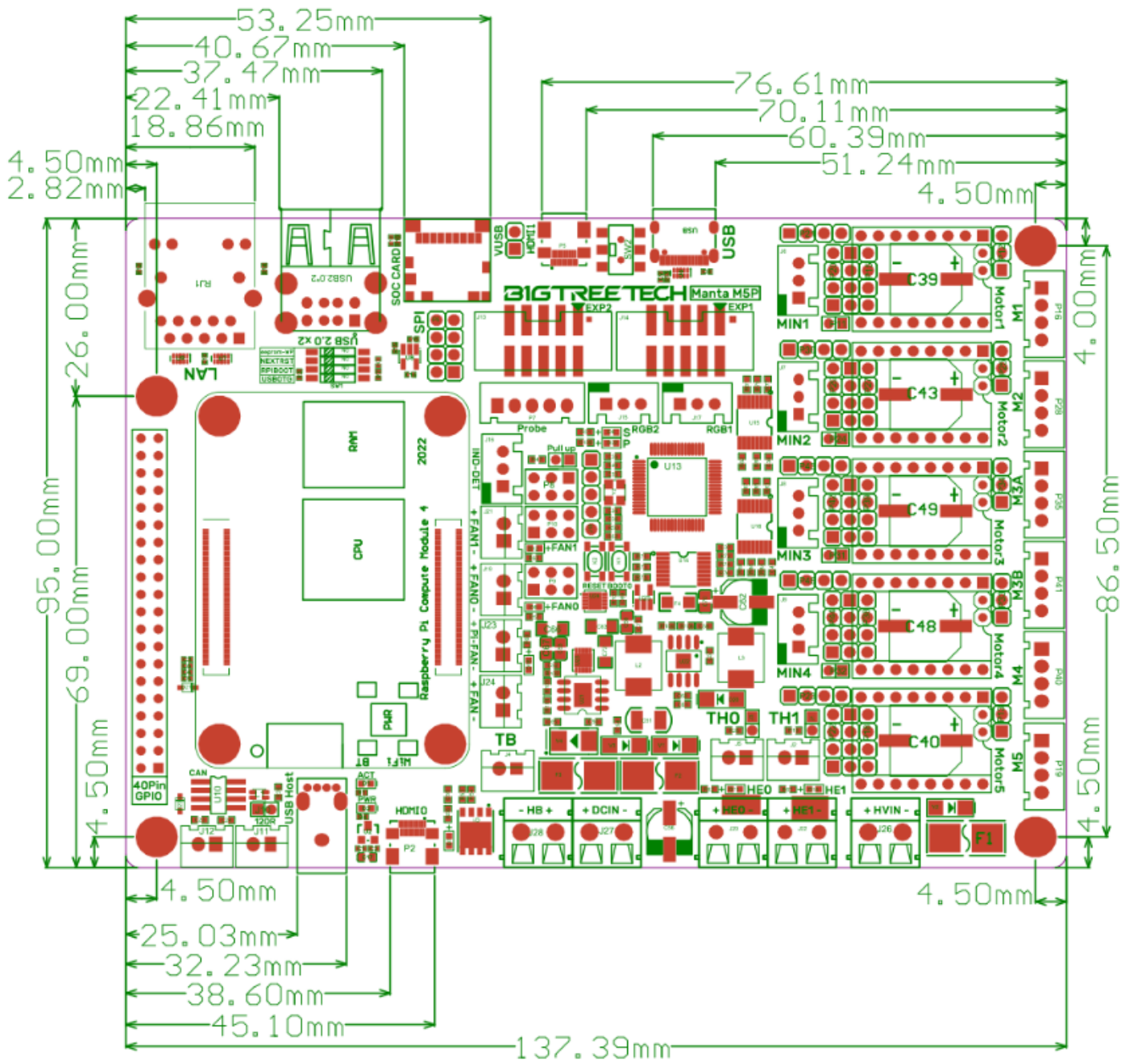
Connectors



Pinout



Dimensions



ADXL345 pin	RPi pin	RPi pin name
3V3 (or VCC)	01	3.3V DC power
GND	06	Ground
CS	24	GPIO08 (SPI0_CE0_N)
SDO	21	GPIO09 (SPI0_MISO)
SDA	19	GPIO10 (SPI0_MOSI)
SCL	23	GPIO11 (SPI0_SCLK)