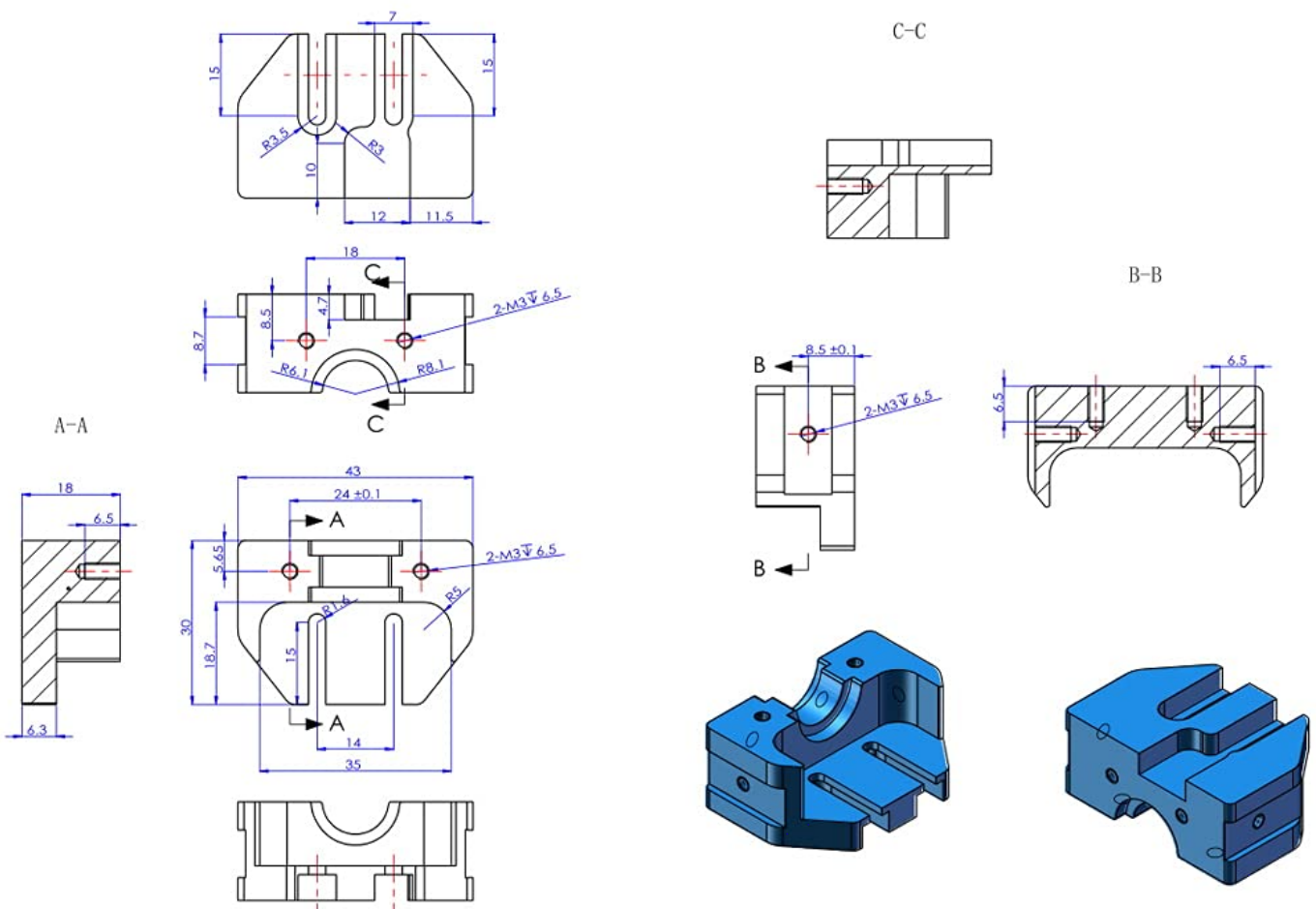
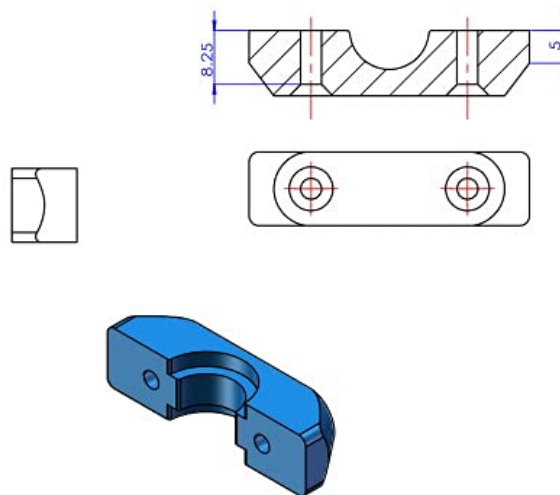
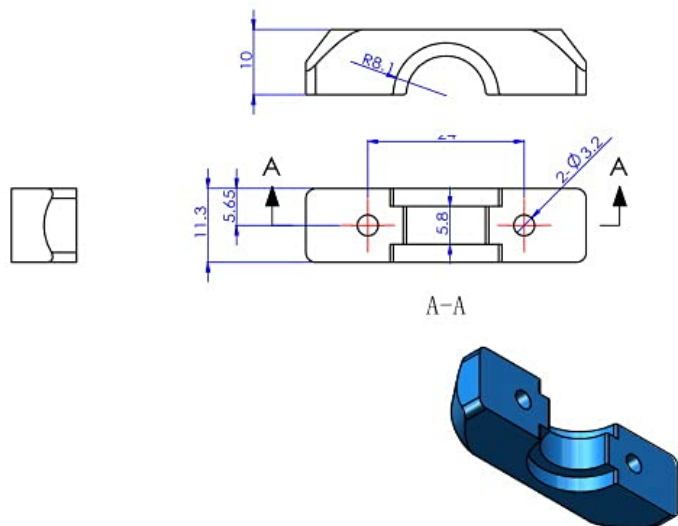


BCZAMD 3D Drucker Upgrade Zubehör Ganzmetall V6

Schematic





Revision #1

Created 2023-10-14 16:22:51 UTC by sylvio

Updated 2023-10-14 16:25:30 UTC by sylvio