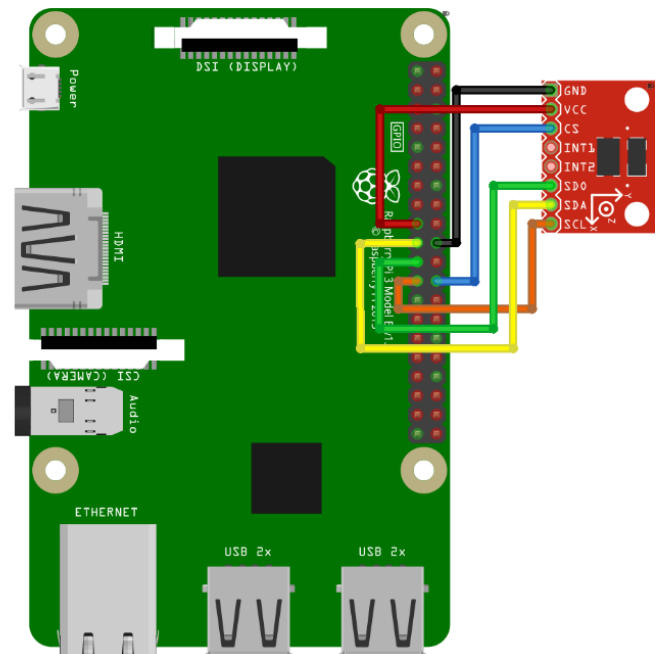
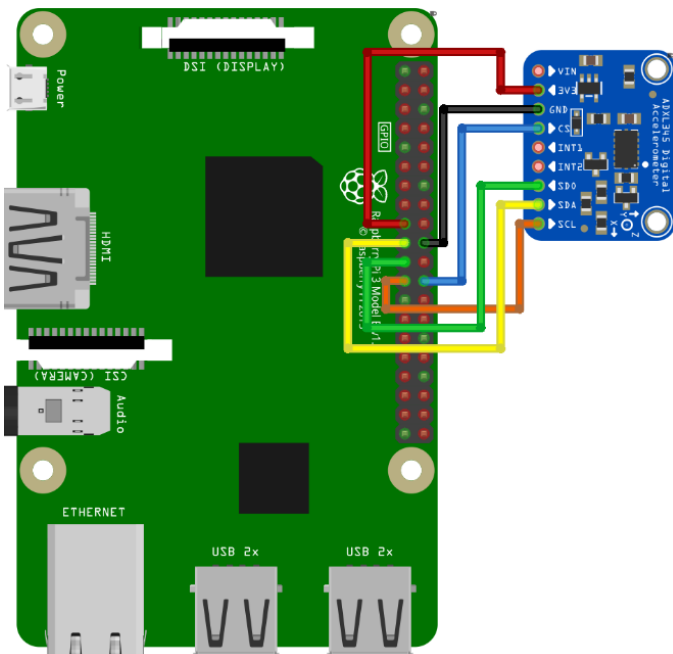


3v3 Power	1			2	5v Power
GPIO 2 (I2C1 SDA)	3			4	5v Power
GPIO 3 (I2C1 SCL)	5			6	Ground
GPIO 4 (GPCLK0)	7			8	GPIO 14 (UART TX)
Ground	9			10	GPIO 15 (UART RX)
GPIO 17	11			12	GPIO 18 (PCM CLK)
GPIO 27	13			14	Ground
GPIO 22	15			16	GPIO 23
3v3 Power	17			18	GPIO 24
GPIO 10 (SPI0 MOSI)	19			20	Ground
GPIO 9 (SPI0 MISO)	21			22	GPIO 25
GPIO 11 (SPI0 SCLK)	23			24	GPIO 8 (SPI0 CE0)
Ground	25			26	GPIO 7 (SPI0 CE1)
GPIO 0 (EEPROM SDA)	27			28	GPIO 1 (EEPROM SCL)
GPIO 5	29			30	Ground
GPIO 6	31			32	GPIO 12 (PWM0)
GPIO 13 (PWM1)	33			34	Ground
GPIO 19 (PCM FS)	35			36	GPIO 16
GPIO 26	37			38	GPIO 20 (PCM DIN)
Ground	39			40	GPIO 21 (PCM DOUT)

ADXL345



Revision #8

Created 2023-06-30 06:40:21 UTC by sylvio

Updated 2023-10-28 11:09:20 UTC by sylvio