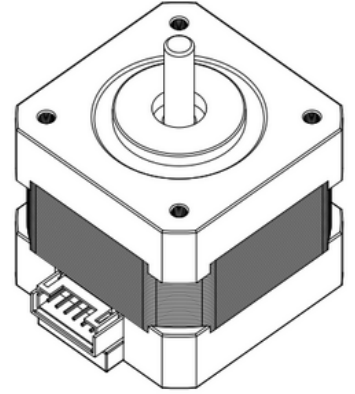
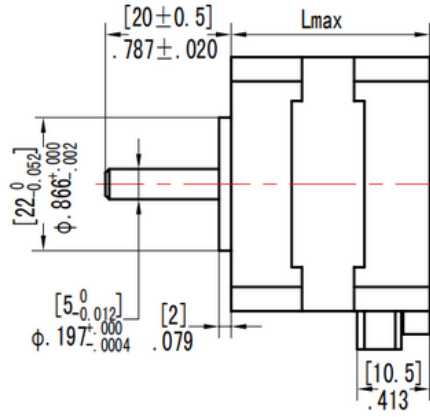
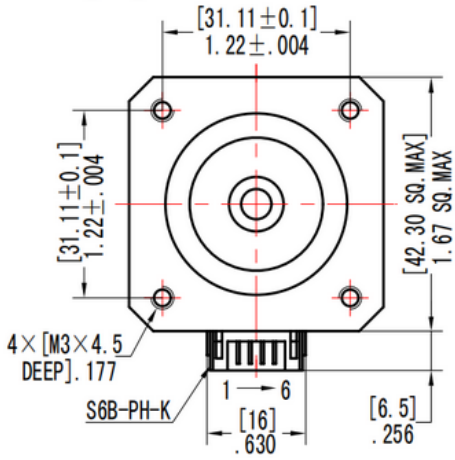


Stepper motor

Unit: [mm] in.



Revision #1

Created 2023-07-15 09:34:50 UTC by sylvio

Updated 2023-07-15 09:35:08 UTC by sylvio